



US00D776666S

(12) **United States Design Patent**  
**Karlsson et al.**

(10) **Patent No.:** **US D776,666 S**

(45) **Date of Patent:** **\*\* Jan. 17, 2017**

(54) **CURVED LIGHT GUIDE FRAME**

(71) Applicant: **Neonode Inc.**, Santa Clara, CA (US)

(72) Inventors: **John Karlsson**, Märsta (SE); **Lars Sparf**, Vällingby (SE); **Alexander Jubner**, Stockholm (SE); **Thomas Eriksson**, Stockholm (SE)

(73) Assignee: **Neonode Inc.**, San Jose, CA (US)

(\*\*) Term: **14 Years**

(21) Appl. No.: **29/516,687**

(22) Filed: **Feb. 5, 2015**

(51) **LOC (10) Cl.** ..... **14-02**

(52) **U.S. Cl.**  
USPC ..... **D14/439**; D14/450; D14/432; D26/141

(58) **Field of Classification Search**  
USPC ..... D14/388, 389, 390, 399, 338, 341, 346, D14/356, 371, 374, 432, 439, 440, 443, D14/448, 450, 454, 126, 217, 218, 239, D14/248, 255, 299; D13/162, 184, 123; D26/51, 56, 113, 118, 138, 139, 141, 152  
CPC ..... G06F 3/041; G06F 3/0416; G06F 3/0412; G06F 3/042; G06F 3/0421; G06F 3/0488; G02B 6/0025; G02B 6/0031; G02B 6/0086; G02B 6/0088; G02F 1/133308; G02F 1/133615

See application file for complete search history.

7,116,385 B2 \* 10/2006 Yeom ..... G02F 1/133615 349/58  
D569,864 S \* 5/2008 Chen ..... D14/337  
D618,682 S \* 6/2010 Haase ..... D14/371  
D645,045 S \* 9/2011 Cacioppo ..... D14/218  
D645,429 S \* 9/2011 Wong ..... D14/126  
D645,431 S \* 9/2011 Boo ..... D14/126  
D677,664 S \* 3/2013 Akana ..... D14/439  
D678,288 S \* 3/2013 Feldstein ..... D14/439  
D693,343 S \* 11/2013 Haller ..... D14/374  
D721,679 S \* 1/2015 Bang ..... D14/239  
D726,136 S \* 4/2015 Cho ..... D14/126  
D727,863 S \* 4/2015 Sung ..... D14/126  
D728,543 S \* 5/2015 Chung ..... D14/248  
D735,194 S \* 7/2015 Kim ..... D14/374  
9,081,540 B1 \* 7/2015 Cho ..... G06F 1/1601  
D735,922 S \* 8/2015 Yamauchi ..... D16/239  
D736,167 S \* 8/2015 Bang ..... D14/126  
D740,241 S \* 10/2015 Kim ..... D14/126

(Continued)

*Primary Examiner* — Susan Bennett Hattan  
*Assistant Examiner* — Marie Fast Horse  
(74) *Attorney, Agent, or Firm* — Soquel Group LLC

(57) **CLAIM**

The ornamental design for a curved light guide frame, substantially as shown and described.

**DESCRIPTION**

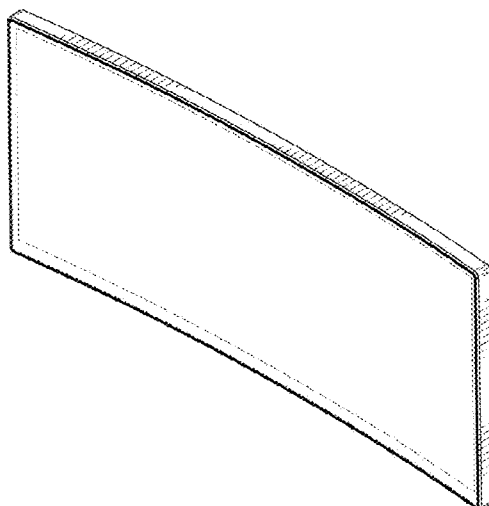
FIG. 1 is a perspective view from the front of a curved light guide frame, showing our new design;  
FIG. 2 is a perspective view from the back thereof;  
FIG. 3 is a top view thereof;  
FIG. 4 is a bottom view thereof;  
FIG. 5 is a left side view thereof, the mirror image of which is a right side view thereof;  
FIG. 6 is a front view thereof; and,  
FIG. 7 is a back view thereof.  
The broken line showings of the remainder of light guide frame are for illustrative purposes only; the broken lines form no part of the claimed design.

**1 Claim, 7 Drawing Sheets**

(56) **References Cited**

U.S. PATENT DOCUMENTS

6,046,785 A \* 4/2000 Won ..... G02F 1/133615 349/58  
6,685,328 B1 \* 2/2004 Hanson ..... G02B 6/0028 349/58  
D487,433 S \* 3/2004 Kanatani ..... D14/126  
D496,041 S \* 9/2004 Chen ..... D14/371  
D501,854 S \* 2/2005 Vick ..... D14/375



(56)

**References Cited**

U.S. PATENT DOCUMENTS

D744,484 S \* 12/2015 Huebner ..... D14/389  
 D745,482 S \* 12/2015 Bang ..... D14/126  
 9,207,800 B1 \* 12/2015 Eriksson ..... G06F 3/041  
 D747,541 S \* 1/2016 Dietel ..... D26/141  
 D749,564 S \* 2/2016 Cho ..... D14/341  
 D750,063 S \* 2/2016 Chung ..... D14/341  
 D757,671 S \* 5/2016 Bouroullec ..... D14/126  
 D763,213 S \* 8/2016 Ann ..... D14/126  
 2008/0106669 A1 \* 5/2008 Tsai ..... G02F 1/133308  
 349/58  
 2012/0188205 A1 \* 7/2012 Jansson ..... G06F 3/042  
 345/175  
 2013/0241886 A1 \* 9/2013 Eriksson ..... G02B 6/0091  
 345/175  
 2014/0355805 A1 \* 12/2014 Park ..... H04N 5/64  
 381/333  
 2015/0035812 A1 \* 2/2015 Shin ..... G09G 3/3688  
 345/204  
 2015/0168626 A1 \* 6/2015 Schinagl ..... G02B 6/0006  
 362/555

2015/0192731 A1 \* 7/2015 Kim ..... G02B 6/0011  
 362/628  
 2015/0260900 A1 \* 9/2015 Nakao ..... G02B 6/0068  
 362/609  
 2015/0323727 A1 \* 11/2015 Li ..... G02B 6/0008  
 362/610  
 2016/0057872 A1 \* 2/2016 Park ..... H05K 5/0017  
 362/611  
 2016/0062184 A1 \* 3/2016 Wu ..... G02F 1/133608  
 349/58  
 2016/0170123 A1 \* 6/2016 Oh ..... G02B 6/0026  
 349/58  
 2016/0183399 A1 \* 6/2016 Lee ..... H04N 5/64  
 361/752  
 2016/0202726 A1 \* 7/2016 Seen ..... G02B 6/0051  
 349/42  
 2016/0216432 A1 \* 7/2016 Kim ..... G02B 6/0035  
 2016/0216435 A1 \* 7/2016 Park ..... G02B 6/0078  
 2016/0223739 A1 \* 8/2016 Yoon ..... G02B 6/0088  
 2016/0231496 A1 \* 8/2016 Song ..... G02B 6/0031

\* cited by examiner

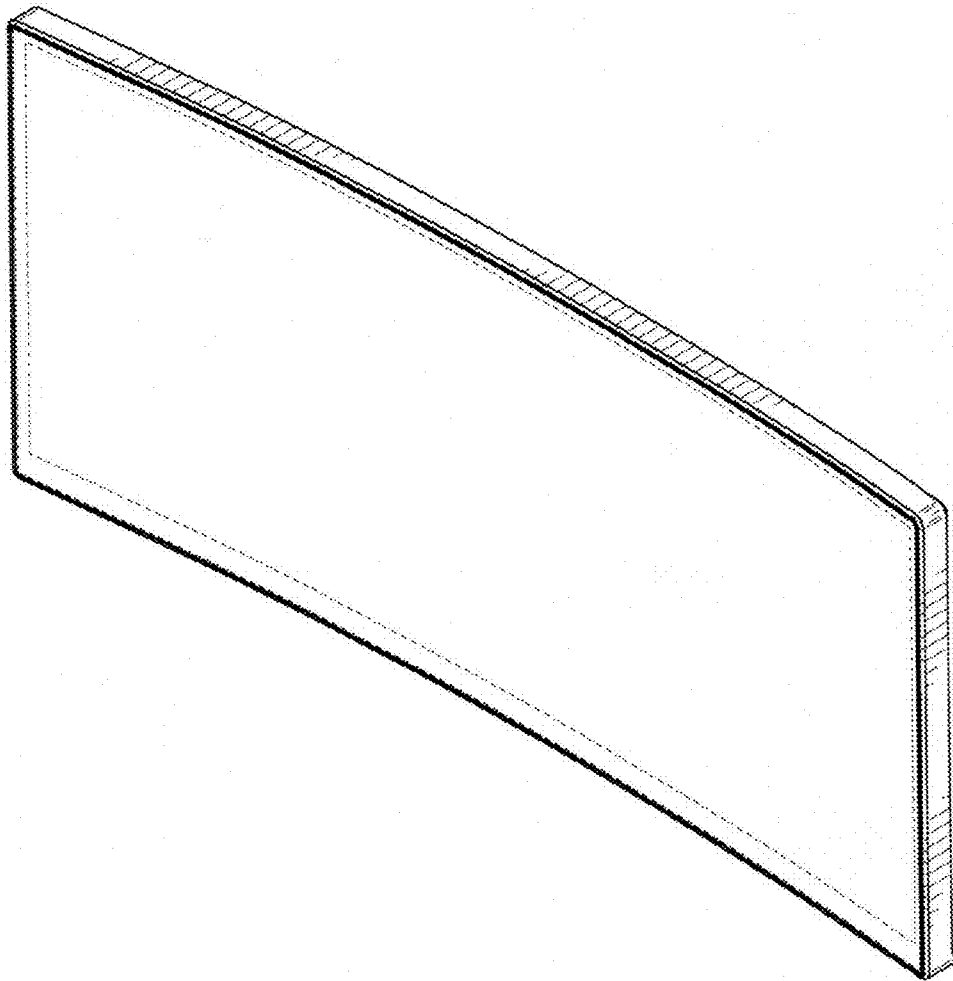


FIG. 1

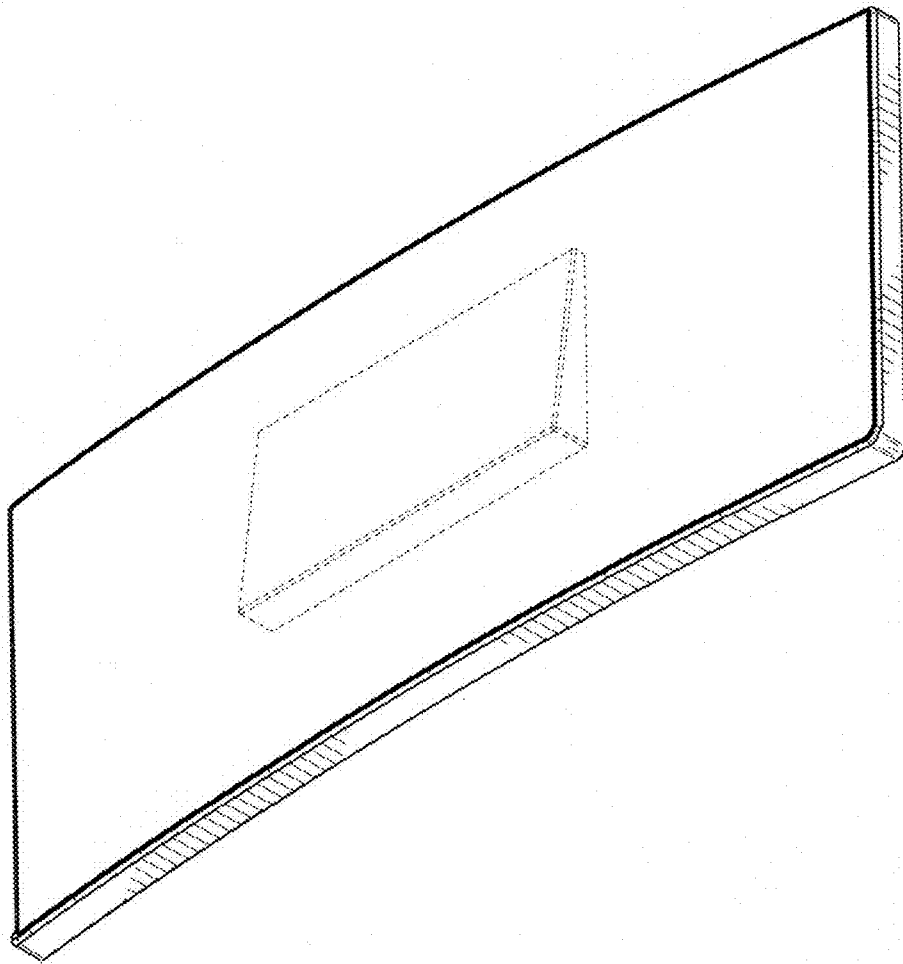


FIG. 2

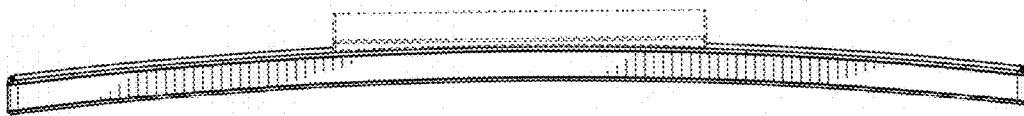


FIG. 3

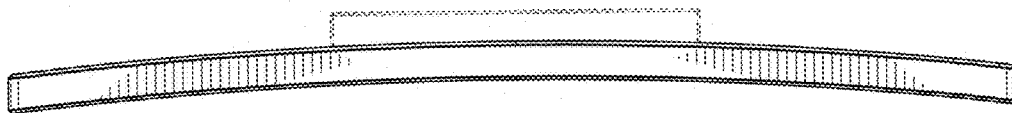


FIG. 4

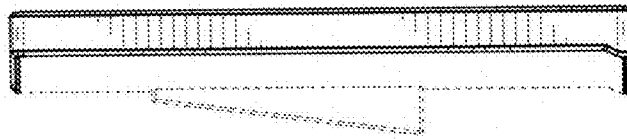


FIG. 5

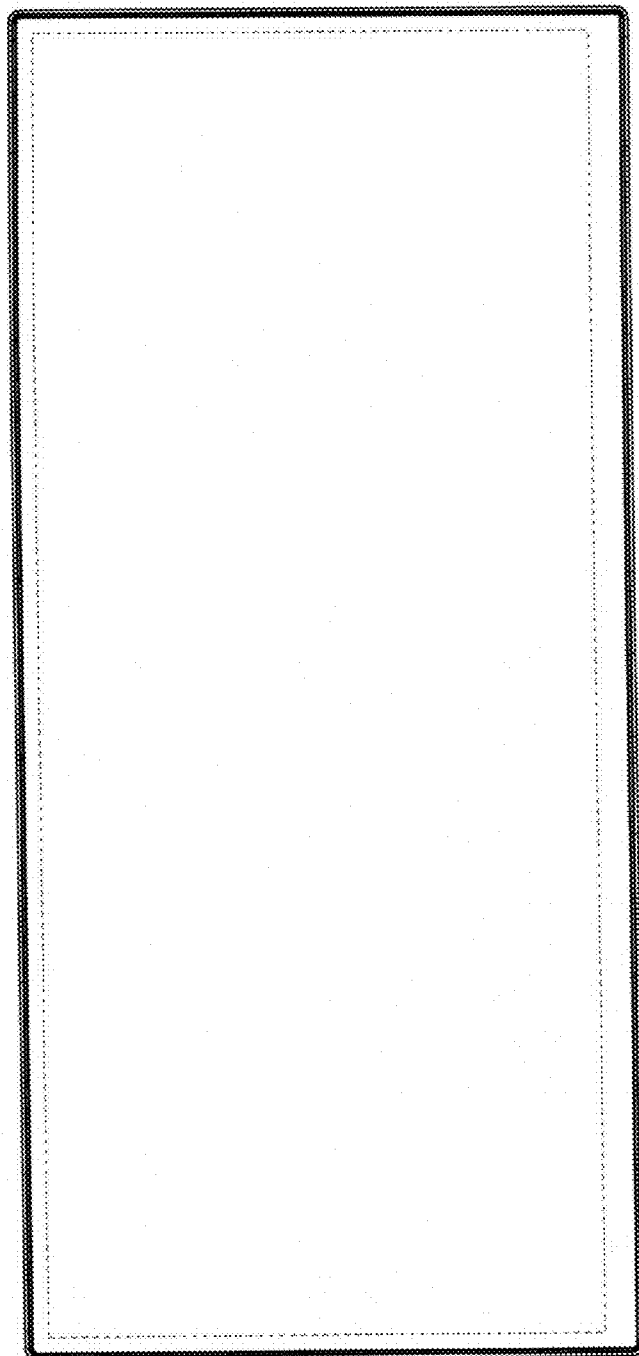


FIG. 6



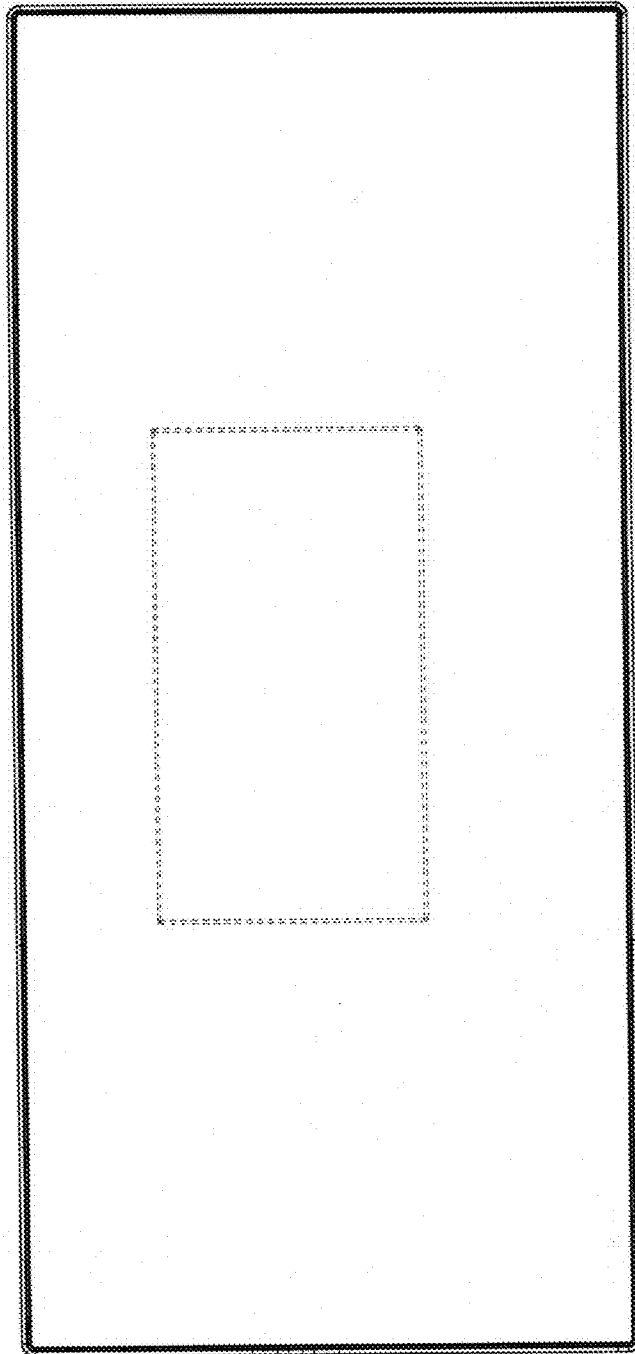


FIG. 7